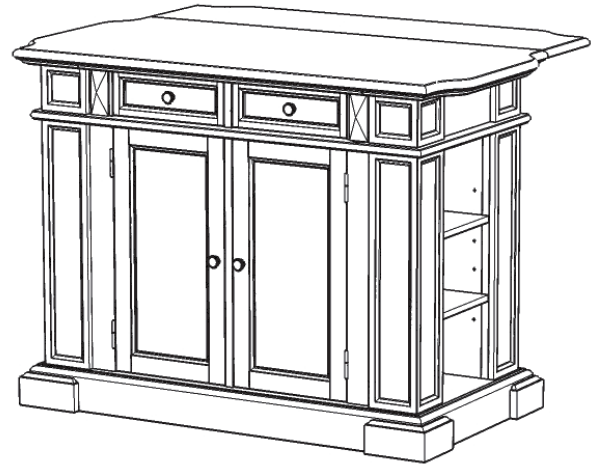


homestyles®

5002-943

# Kitchen Island



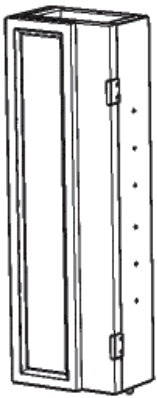
## IMPORTANT

Carefully remove all the parts from the carton and place them individually on a soft cloth to prevent scratches or other damage.

Carefully and strictly follow these assembly instructions to ensure a completed product as designed.

Do not use power tools above 8 volts to assemble.

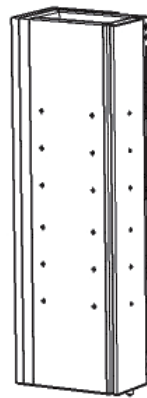
## Part List



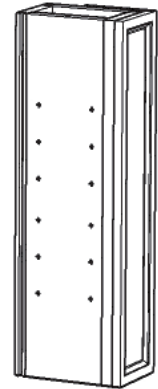
I.  
Post  
1 pc.



J.  
Post  
1 pc.



K.  
Post  
1 pc.



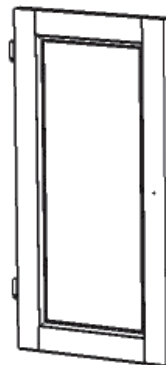
L.  
Post  
1 pc.



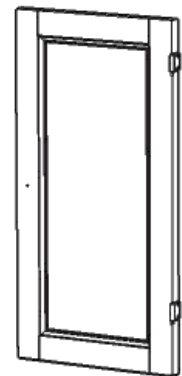
M.  
Side Panel  
2 pcs.



O.  
Shelf  
4 pcs.



P.  
Door  
1 pc.



Q.  
Door  
1 pc.

Cartons 5002-941, 942 are also needed for assembly.

Tool(s) required for assembly: Phillips screwdriver, Level

Home Styles Customer Service: [www.homestylesfurniture.com](http://www.homestylesfurniture.com),  
[servicedesk@homestylesfurniture.com](mailto:servicedesk@homestylesfurniture.com), 888-680-7460, 877-831-0319



## Assembly Instructions 3/6

### STEP 3

Attach unit and Middle Panel (E) to Base (H) with Head Cap Bolts. (See Figure 3)

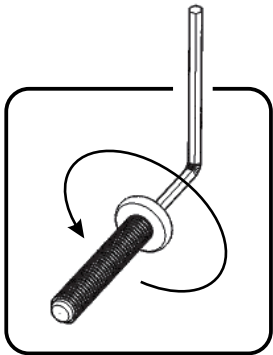
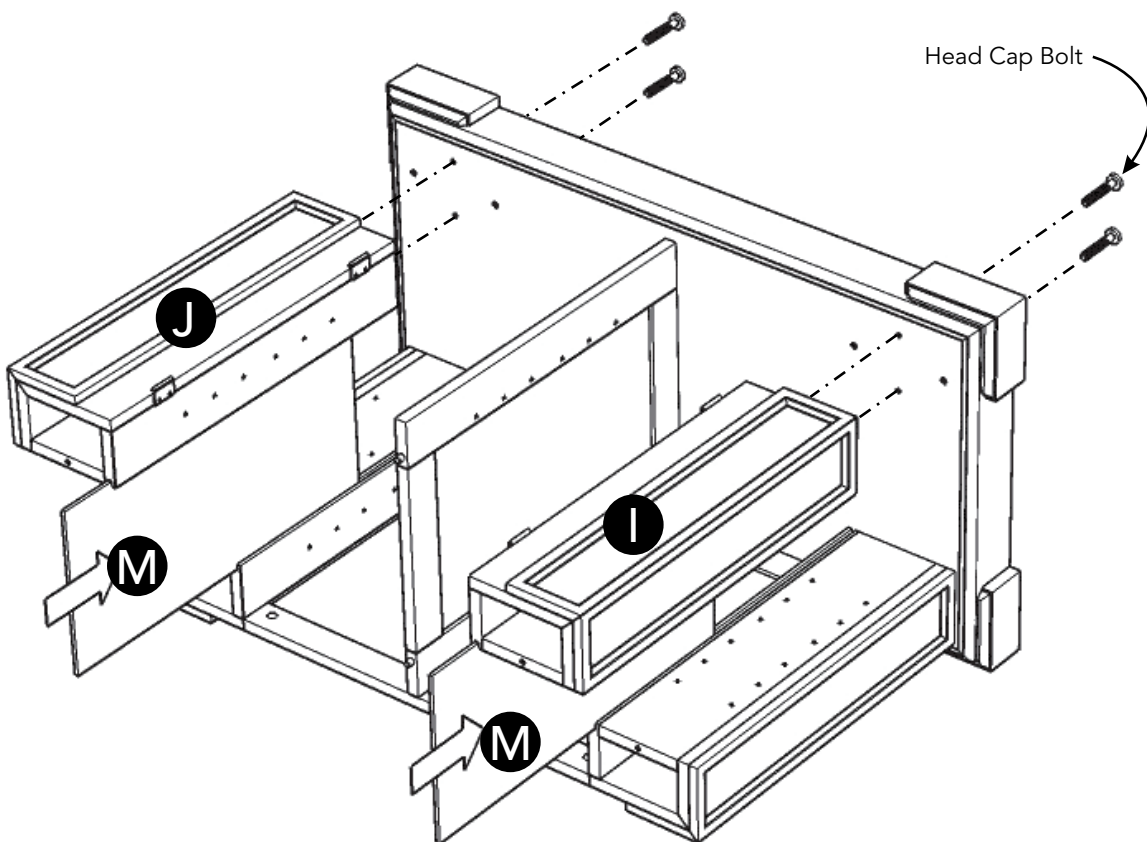
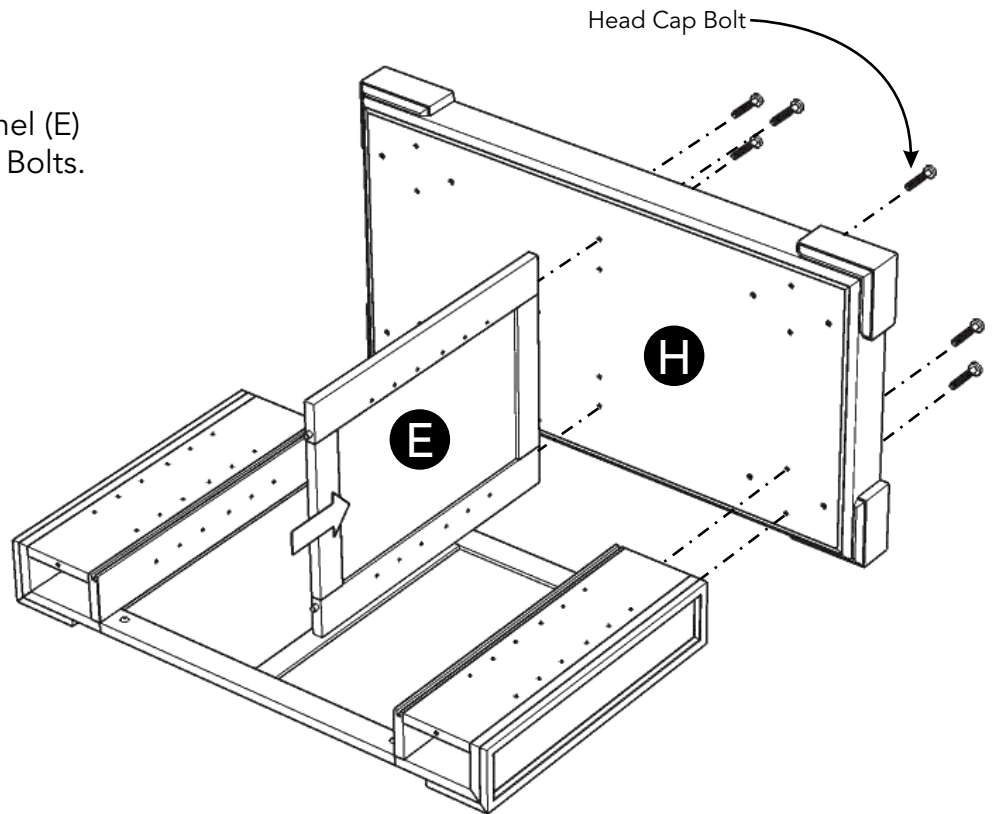


Figure 3



### STEP 4

Attach Posts (I) and (J) to unit with Head Cap Bolts.

Slide Side Panels (M) into position.

# Assembly Instructions 4/6

## STEP 5

Attach Rails (F) to unit with Head Cap Bolts.

Insert Adjustable Pins into posts and middle panel at desired level.  
(See Figure 4)

Place Shelves (G) and (O) into position.

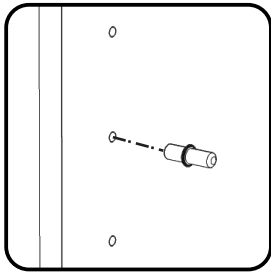
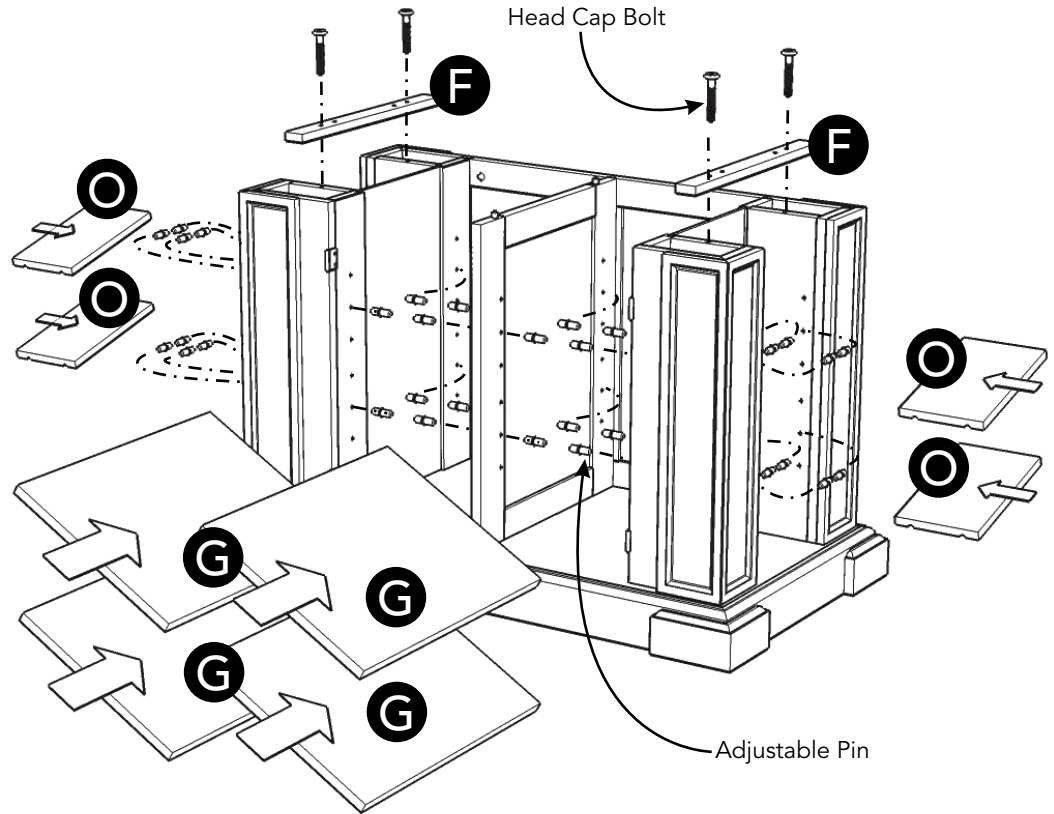


Figure 4

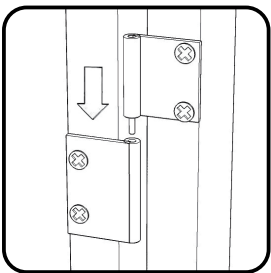


Figure 5

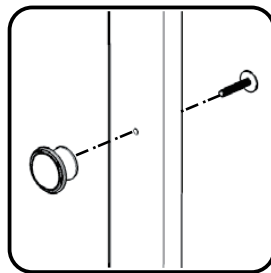
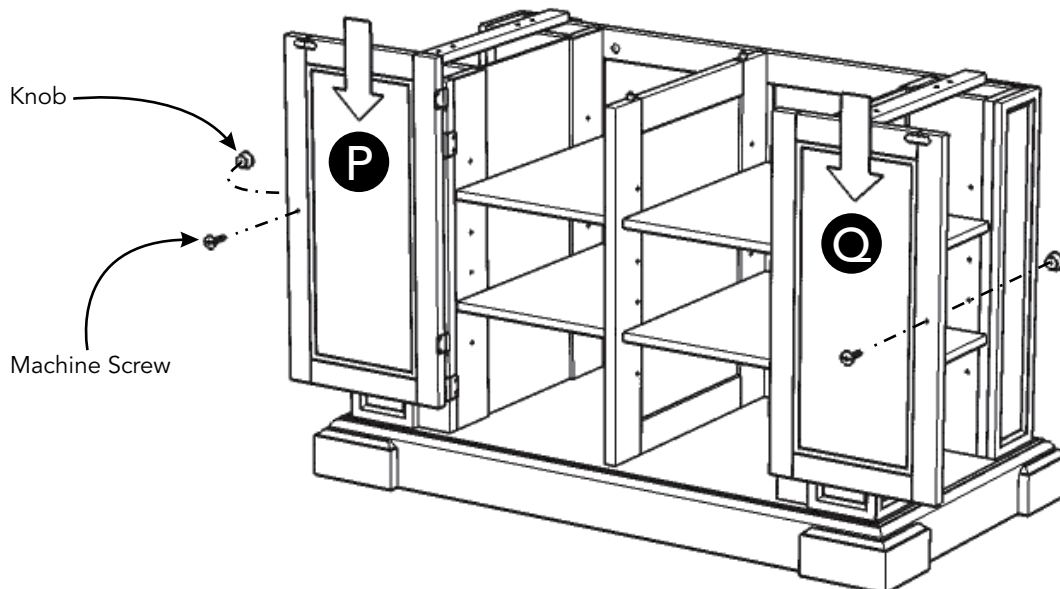


Figure 6

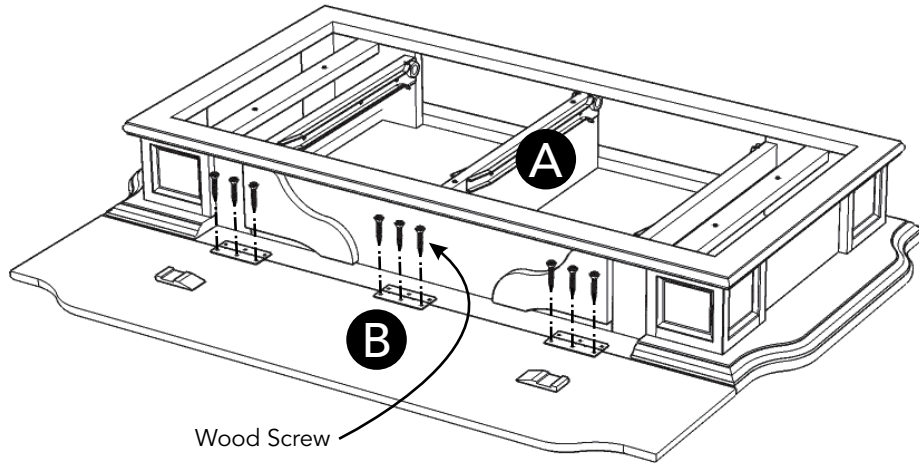
## STEP 6

Attach Doors (P) and (Q) to unit by sliding door hinges into post hinges.  
(See Figure 5)

Attach Knobs to Doors (P) and (Q) with Machine Screws.  
(See Figure 6)



## Assembly Instructions 5/6

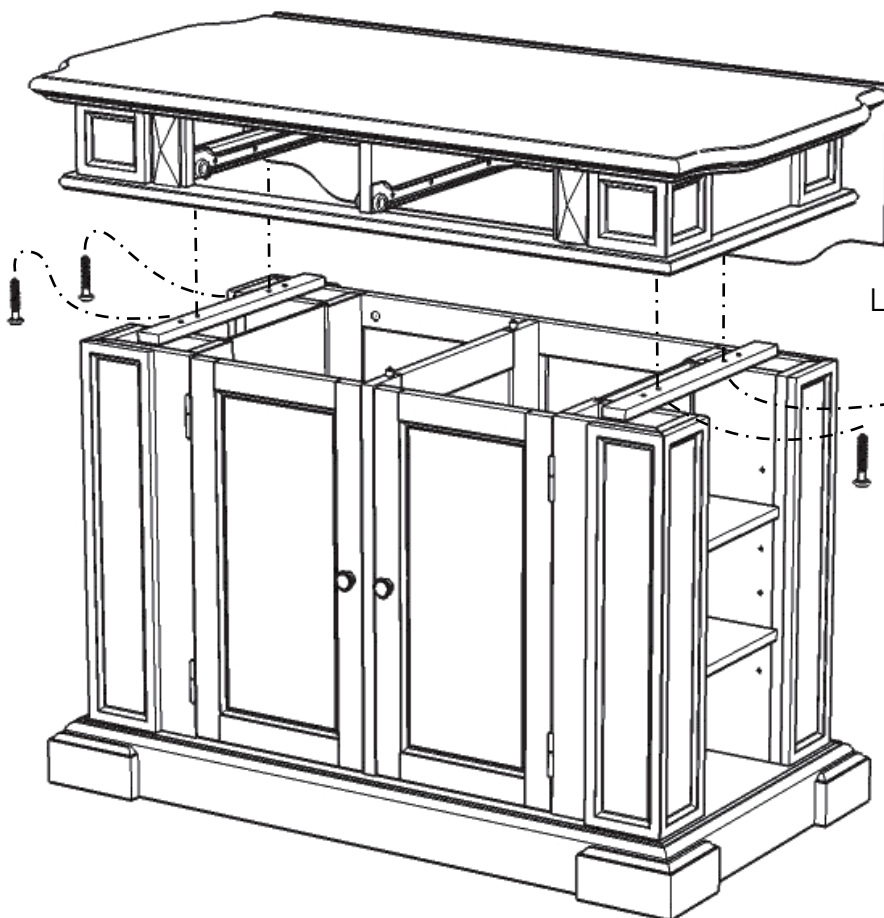
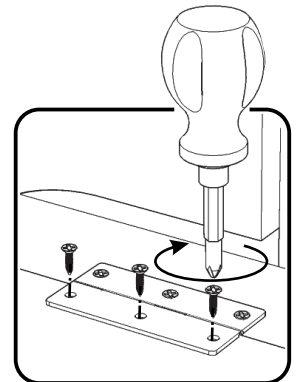


### STEP 7

Remove drawers from Top Unit (A).

Place Top Unit (A) and Leaf Top (B) upside down on a soft cloth.

Attach Top Unit (A) to Leaf Top (B) with Wood Screws into pre-drilled holes.  
(See Figure 7)

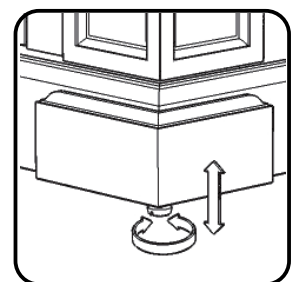


### STEP 8

Attach top unit to unit with Head Cap Bolts.

Level unit by adjusting the adjustable levelers on bottom of unit.  
(See Figure 8)

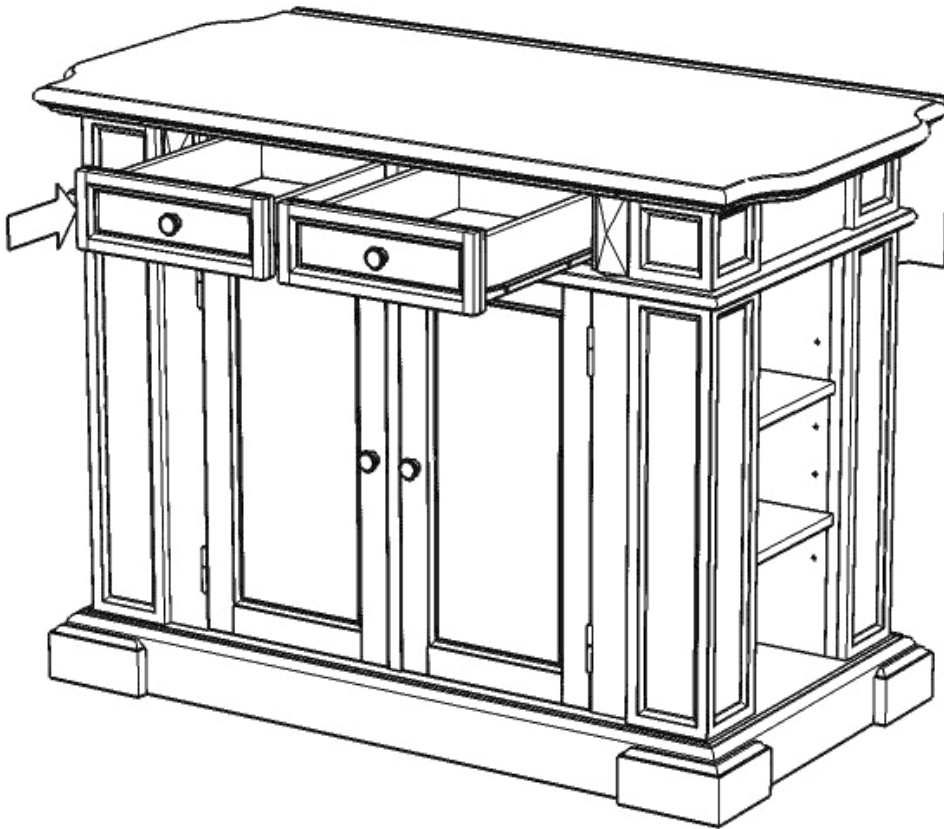
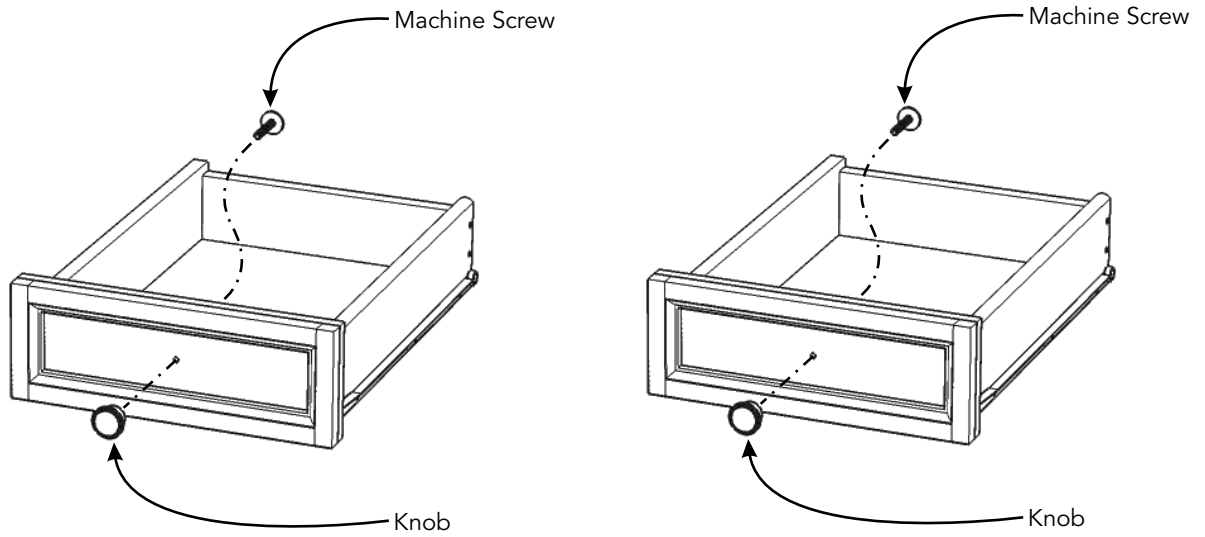
Note: Unit must be level to work properly.



## Assembly Instructions 6/6

### STEP 9

Attach Knobs to drawers with Machine Screws.



### STEP 10

Slide drawers into position.

# CARE INSTRUCTIONS

## NEVER

allow liquids to remain on furniture.  
Absorption causes parts to warp  
and split and finishes to delaminate.

## NEVER

use glass cleaners on  
finished furniture. Ammonia  
chemically attacks the finish.



Do not use power tools  
above 8 volts to assemble.

**PREVENT  
CRACKING**



Do not place  
in direct sunlight.

**PREVENT  
FADING**



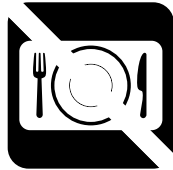
Do not write  
directly on surface.

**PREVENT  
MARKING**



Do not place hot  
objects on surface.

**PREVENT  
FINISH DAMAGE**



Do not use rubber  
based placemats.

**PREVENT  
DISCOLORING**



Do not use commercial  
waxes and polishes.

**PREVENT  
YELLOWING**

## CLEAN

with a soft cloth moistened  
in lukewarm soap and water.  
Buff with a dry clean cloth.



Home Styles will provide replacements free of charge for missing or damaged hardware or parts within 30 days of purchase. Digital images of the defective parts may be required. If the product was not purchased from an authorized retail affiliate, Home Styles is under no obligation to provide replacement parts. Parts are not available for fully assembled items nor are parts available for sale. Replacements for missing or damaged hardware or parts may be requested at:

[www.homestylesfurniture.com/customer-service/replacement-parts](http://www.homestylesfurniture.com/customer-service/replacement-parts)

Home Styles Customer Service: [www.homestylesfurniture.com](http://www.homestylesfurniture.com),  
[servicedesk@homestylesfurniture.com](mailto:servicedesk@homestylesfurniture.com), 888-680-7460, 877-831-0319